

TL 40 Watertight Luminaire, surface

1x18W / 2x18W / 2x24W / 1x36W / 2x36W / 2x54W

Applications: multipurpose luminaire for engine rooms, stores, etc.

Protection class: IP67

Approvals: according to the rules of relevant classification societies, additional VDE and IEC

Housing: polycarbonate, clear

Diffuser: safety glass

Lamp base: G 13/G 5

Lamps (not included): fluorescent lamp 18W / 36W - T8, 24W / 54W - T5

Electric: 230V, 50Hz or 60Hz, flexible wiring, heat resistant up to +105°C, other voltages on request

Cable entry: max 4 cable glands, to be ordered separately

Mounting: 2 mounting holes, Ø 9 mm

Options:

- stainless steel housing
- opal diffuser
- electronic ballast
- outside junction box
- emergency battery backup
- a choice of different mounting sets are available
- ILL - Approval



| Type | Part-no. | Weight (kg) |
|-----------------------|---------------|-------------|
| 1x18W | 101350 | 2.8 |
| 2x18W | 101361 | 3.8 |
| 1x36W | 101372 | 5.6 |
| 2x36W | 101383 | 5.9 |
| 2x24W (230V/ 50/60Hz) | 101394 | 3.0 |
| 2x54W (230V/ 50/60Hz) | 101405 | 5.1 |

TL 45 Watertight Luminaire, surface

2x18W / 2x36W

Applications: workshops, engineerrooms, stores, etc.

Protection class: IP67

Approvals: according to the rules of relevant classification societies, additional VDE and IEC

Housing: polyester, reinforced

Diffuser: polycarbonate, prismatic clear

Lamp base: G 13

Lamps (not included): fluorescent lamp 18W / 36W

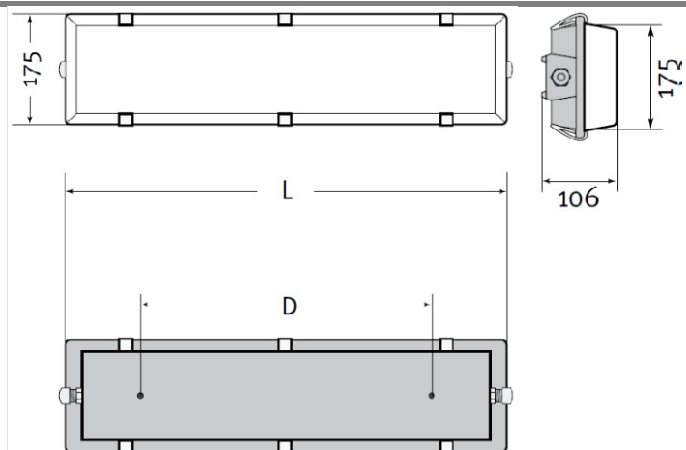
Electric: 230V, 50Hz or 60Hz, flexible wiring, heat resistant up to +105°C, other voltages on request

Cable entry: 2 plastic cable glands, cable max \varnothing 12 mm

Mounting: 2 mounting holes, \varnothing 6 mm

Options:

- electronic ballast
- mounting with pre-installed screws



| Type | Part-no. | L/D (mm) | Weight (kg) |
|-------|---------------|----------|-------------|
| 2x18W | 101416 | 682/450 | 2.0 |
| 2x36W | 101427 | 1295/800 | 4.7 |

TL 53 Pressure Watertight Luminaire

1x18W / 1x24W / 1x36W

Applications: decks

Protection class: IP68 20m

Approvals: according to the rules of relevant classification societies, additional VDE and IEC

Housing: clear polycarbonate tube

End caps: polycarbonate

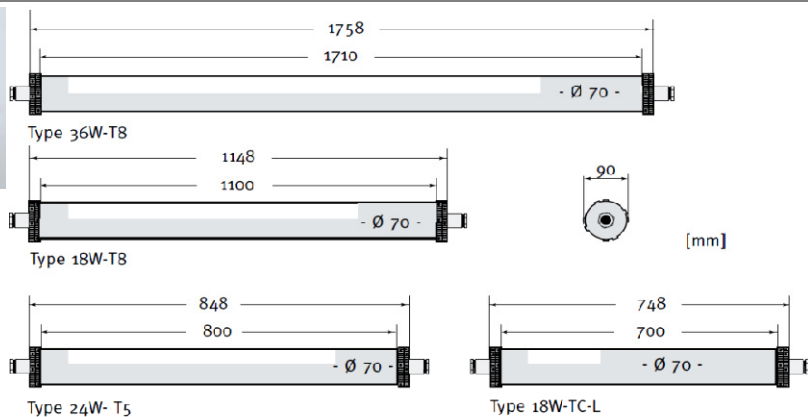
Lamp base: G 5, G 13 or 2 G11

Lamps (not included): fluorescent lamp or tubular compact lamp 18W / 24W / 36W

Electric: flexible wiring, heat resistant up to 105°C

Cable entry: 2 plastic cable glands, cable max Ø 12 mm

Mounting: 2 fixing clamps, stainless steel (not included)



| Type | Part-no. | Weight (kg) |
|------------|---------------|-------------|
| 1x36W-T8 | 101438 | 4.0 |
| 1x18W-T8 | 101449 | 2.9 |
| 1x18W-TC-L | 101460 | 2.1 |
| 1x24W-T5 | 101471 | 2.0 |

KL 61 Kitchen Luminaire, surface

2x18W / 2x36W

Applications: galleys, kitchen, pantries, provision rooms

Protection class: IP55

Approvals: according to the regulations USPH (U.S. Public Health) and the rules of relevant classification societies, additional VDE and IEC

Base plate: stainless steel

Diffuser: polycarbonate, clear

Gasket: silicone rubber

Lamp base: G 13

Lamps (not included): fluorescent lamp 18W / 36W

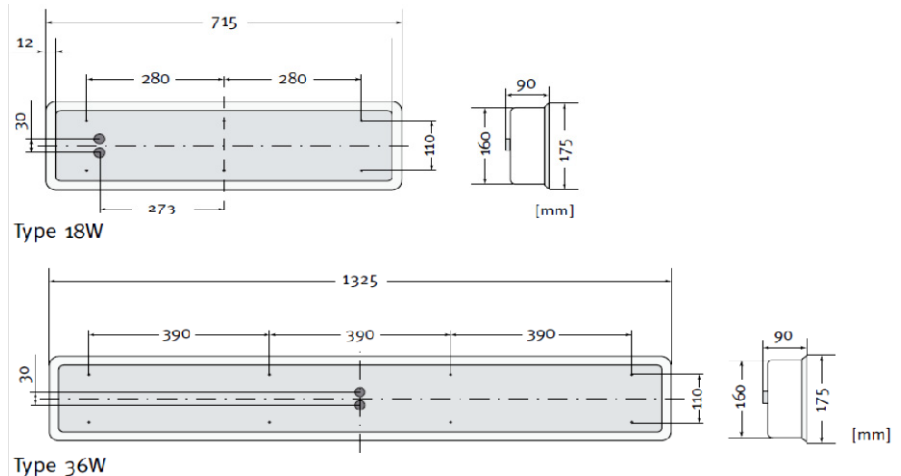
Electric: flexible wiring, heat resistant up to 105°C

Cable entry: 2 plastic cable glands, cable max Ø 12 mm

Mounting: 6 / 8 mounting holes, Ø 5 mm

Options:

- electronic ballast
- type 2x18W available with central cable entry
- IP 67



| Type | Part-no. 230V/ 50Hz/ h.p.f.c. | Part-no. 230V/ 60Hz/ h.p.f.c. | Weight (kg) |
|-------|-------------------------------------|-------------------------------------|-------------|
| 2x18W | 101482 | 101504 | 3.7 |
| 2x36W | 101493 | 101515 | 7.7 |

KL 62 Kitchen Luminaire, recessed

Part-no. 101526

2x18W

Applications: coldroom, refrigerated areas, freezing rooms

Protection class: IP55

Approvals: according to the regulations USPH (U.S. Public Health) and the rules of relevant classification societies, additional VDE and IEC

Base plate: stainless steel

Diffuser: polycarbonate, clear

Gasket: silicone rubber

Lamp base: G 13

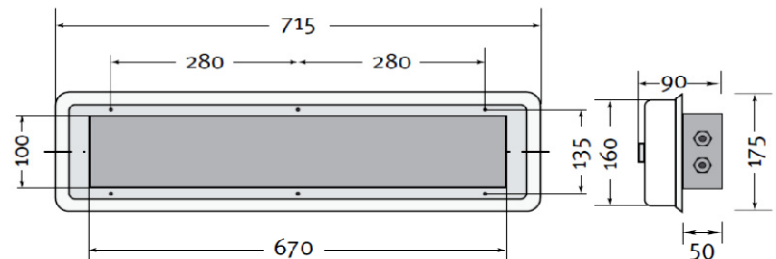
Lamps (not included): fluorescent lamp 18W

Electric: Electronic ballast, 230V, 50/60Hz, flexible wiring, heat resistant up to +105°C

Cable entry: 2 plastic cable glands, cable max Ø 12 mm

Mounting: 6 mounting holes, Ø 5 mm. Cut out 675 x 105 mm

Weight : 4.8kg



KR 61 Coldroom Luminaire, surface

Part-no. 101537 (230V/ 50Hz/l.p.f.)

2x40W

Part-no. 101548 (230V/ 50Hz/l.p.f.)

Applications: coldroom, refrigerated areas, freezing rooms

Protection class: IP55

Approvals: according to the regulations USPH (U.S. Public Health) and the rules of relevant classification societies, additional VDE and IEC

Ambient temp.: -25°C to +30°C

Diffuser: polycarbonate, clear

Gasket: silicone rubber

Lamp base: G 13

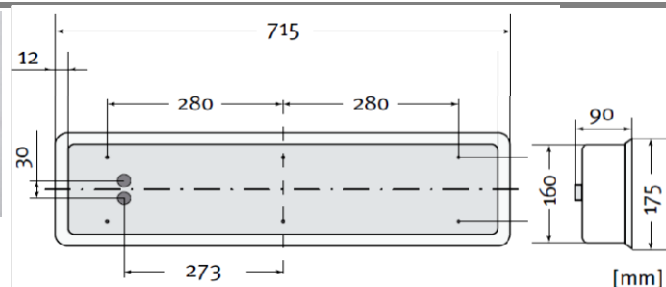
Lamps (not included): crompton fluorescent lamp, 40W, 590 mm

Electric: flexible wiring, heat resistant up to +105°C

Cable entry: 2 plastic cable glands, cable max Ø 12 mm

Mounting: 6 mounting holes, Ø 5 mm

Weight : 3.8kg



KR 40 Coldroom Luminaire, surface

Part-no. 101559

2x40W

Applications: coldroom, refrigerated areas, freezing rooms

Protection class: IP67

Approvals: according to the rules of relevant classification societies, additional VDE and IEC

Ambient temp.: -25°C to +30°C

Diffuser: polycarbonate, clear

Gasket: silicone rubber

Lamp base: G 13

Lamps (not included): crompton fluorescent lamp, 40W, 590 mm

Electric: electronic ballast 230V, 50/60Hz, flexible wiring, heat resistant up to +105°C

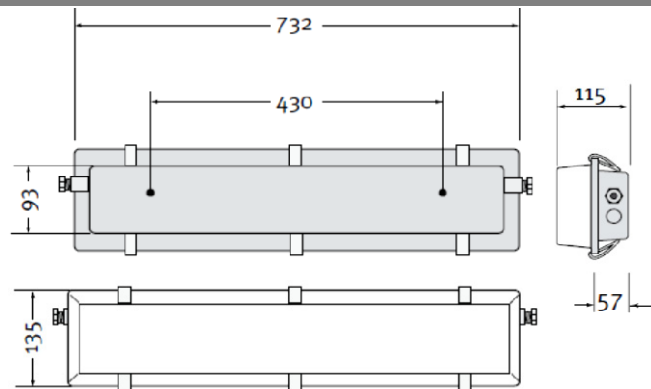
Cable entry: max 4 cable glands, to be ordered separately

Mounting: 2 mounting holes, Ø 9 mm

Weight : 4.7kg

Options:

- stainless steel housing
- opal diffuser
- outside junction box
- a choice of different mounting sets are available



TL 53 LED Pressure Watertight Luminaire

Part-no. 101570

1x18W

Applications: decks

Protection class: IP68 20m

Approvals: according to the rules of relevant classification societies, additional VDE and IEC

Housing: clear polycarbonate tube

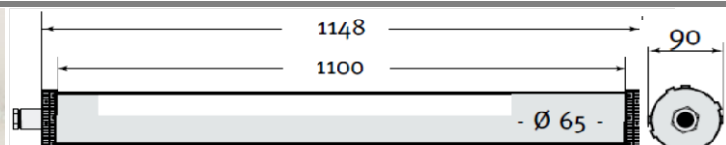
End caps: polycarbonate

Lamps (included): High Power LED

Electric: 115-230V, 50 / 60Hz flexible wiring, heat resistant up to 105°C

Cable entry: 2 plastic cable glands, cable max. Ø 12 mm

Mounting: 2 fixing clamps, stainless steel (not included)

Weight : 2.5kg


TL 40z LED Watertight Luminaire, surface

Part-no. 101581

2x18W

Applications: multipurpose, luminaire for engine rooms, stores, etc.

Protection class: IP67

Approvals: according to the rules of relevant classification societies, additional VDE and IEC

Housing: zinc coated steel, seamless deep drawn, powder coated white

Diffuser: polycarbonate, clear

Lamps (included): High Power LED

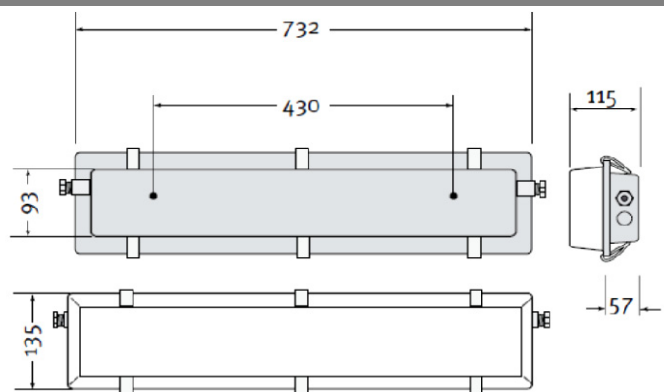
Electric: 115-230V, 50 / 60Hz flexible wiring, heat resistant up to 105°C

Cable entry: max 4 cable glands, to be ordered separately

Mounting: 2 mounting holes, Ø 9 mm

Options:

- stainless steel housing
- opal diffuser
- outside junction box
- emergency battery backup
- a choice of different mounting sets are available



KR 61 LED Coldroom Luminaire, surface

Part-no. 101592

2x18W

Applications: coldroom, refrigerated areas, freezing rooms

Protection class: IP55

Approvals: according to the regulations USPH (U.S. Public Health) and the rules of relevant classification societies, additional VDE and IEC

Ambient temp.: -30°C to +30°C

Groundplate: stainless steel

Diffuser: polycarbonate, clear

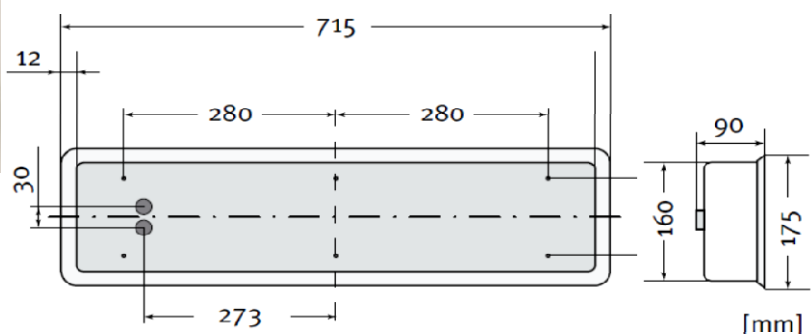
Gasket: silicone rubber

Lamps (included): 2x18W High Power LED

Electric: 115-230V, 50 / 60Hz flexible wiring, heat resistant up to +105°C

Cable entry: 2 plastic cable glands, cable max Ø 12 mm

Mounting: 6 mounting holes, Ø 5 mm



SL 97 Outside Wall Light, Balcony

Part-no. 101603

1x18W

Protection class: IP67

Approvals: according to the rules of relevant classification societies, additional VDE and IEC

Housing: stainless steel powder coated white

Diffuser: polycarbonate, opal

Lamp base: G 24 d-2

Lamps (not included): tubular compact fluorescent lamp 18W

Electric: 230V, 50Hz or 60Hz, flexible wiring, heat resistant up to +105°C

Cable entry: 2 cable entries

Mounting: 4 mounting holes, 9 x 14 mm

Weight: 1.5 kg

Dimensions: Ø 250 mm, height 122 mm

Options:

- other voltages and wattage on request
- electronic ballast

