

Berth Light KJ56 surface, 1x7/9W IP30

Applications: cabin

Housing: phosphate coated steel, powder coated white

Diffuser: polycarbonate opal

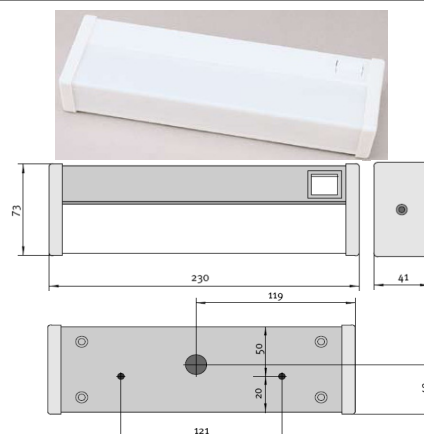
Lamp base: G23

Lamps (not included): tubular compact fluorescent 7/9W

Electric: flexible wiring, heat resistant up to 105°C, on/off switch 2-pole

Cable entry: 1 inlet, cable Ø max 11 mm

Mounting: 2 mounting holes, Ø 5.5 mm



Part Number	Dimensions (mm)			Description	Weight (kg)
	Length	Width	Height		
102021	230	73	41	230V/50Hz	0,7
102032	230	73	41	230V/60Hz	0,7

Cornice Luminaire EL66 1x18W/1x36W surface, IP30

Applications: passage ways, cabins

Housing: phosphate coated steel, powder coated white

Diffuser: polycarbonate opal

Lamp base: G13

Lamps (not included): fluorescent lamp 18W / 36W

Electric: flexible wiring, heat resistant up to 105°C

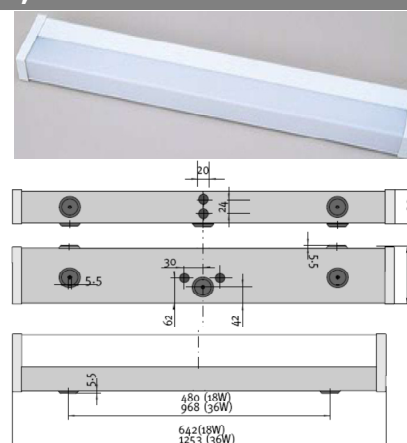
Cable entry: 4 inlets, cable Ø max 11 mm

Mounting: 5 mounting holes, Ø 5.5 mm

Options:

-crystal diffuser

-electronic ballast



Part Number	Dimensions (mm)			Description	Weight (kg)
	Length	Width	Height		
102043	642	107	59	1x18W, 230V, 50Hz l.p.f.	2,0
102054	642	107	59	1x18W, 230V, 50Hz h.p.f.c.	2,0
102065	642	107	59	1x18W, 230V, 60Hz l.p.f.	2,0
102076	642	107	59	1x18W, 230V, 60Hz h.p.f.c.	2,0
102087	1253	107	59	1x36W, 230V, 50Hz l.p.f.	3,2
102098	1253	107	59	1x36W, 230V, 50Hz h.p.f.c.	3,2
102109	1253	107	59	1x36W, 230V, 60Hz l.p.f.	3,2
102120	1253	107	59	1x36W, 230V, 60Hz h.p.f.c.	3,2

Cornice Luminaire EL33 surface, IP30

1x18W/2x18W/1x36W/2x36W

Applications: passage ways, cabins

Housing: phosphate coated steel, powder coated white

Diffuser: polycarbonate opal

Lamp base: G13

Lamps (not included): fluorescent lamp 18W / 36W

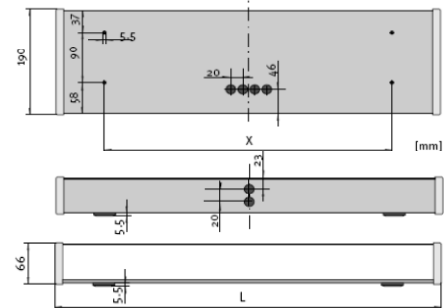
Electric: flexible wiring, heat resistant up to 105°C

Cable entry: 6 inlets, cable Ø max 11 mm

Mounting: 4 mounting holes, Ø 5.5 mm

Options:

- crystal diffuser
- emergency lampholder E14
- electronic ballast
- on/off switch 2-pole
- emergency battery backup



Part Number	Dimensions (mm)			Description	Weight (kg)
	Length	Width	Height		
102131	645	190	66	1x18W,230V,50Hz l.p.f.	3,0
102142	645	190	66	1x18W,230V,50Hz h.p.f.c.	3,0
102153	645	190	66	1x18W,230V,60Hz l.p.f.	3,0
102164	645	190	66	1x18W,230V,60Hz h.p.f.c.	3,0
102175	645	190	66	2x18W,230V,50Hz l.p.f.	3,4
102186	645	190	66	2x18W,230V,50Hz h.p.f.c.	3,4
102197	645	190	66	2x18W,230V,60Hz l.p.f.	3,4
102208	645	190	66	2x18W,230V,60Hz h.p.f.c.	3,4
102219	1252	190	66	1x36W,230V,50Hz l.p.f.	4,2
102230	1252	190	66	1x36W,230V,50Hz h.p.f.c.	4,2
102241	1252	190	66	1x36W,230V,60Hz l.p.f.	4,2
102252	1252	190	66	1x36W,230V,60Hz h.p.f.c.	4,2
102263	1252	190	66	2x36W,230V,50Hz l.p.f.	4,7
102274	1252	190	66	2x36W,230V,50Hz h.p.f.c.	4,7
102285	1252	190	66	2x36W,230V,60Hz l.p.f.	4,7
102296	1252	190	66	2x36W,230V,60Hz h.p.f.c.	4,7

Mirror luminaire SP66 1x11,1x15,1x18W surface, IP44

Applications: cabins, shower rooms, toilets,accomodation areas

Housing: phosphate coated steel,powder coated white

Diffuser: PMMA, opal

Lamp base: G13 or G23

Lamps (not included): tubular compact fluorescent lamp 11W,fluorescent lamp 15W / 18W

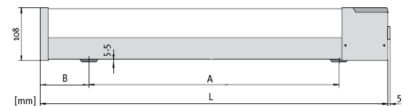
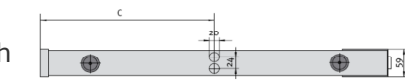
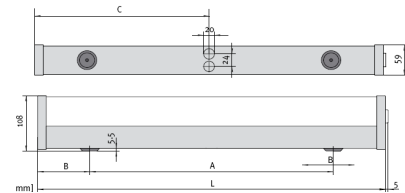
Electric: flexible wiring, heat resistant up to 105°C

Cable entry: 2 inlets,cable Ø max 11 mm

Mounting: 2 mounting holes,Ø 6.0 mm

Specifications:

- Type 1:** two plastic endcaps
- Type 2:** isolating transformer, universal socket
2-pole on/off switch,230V/ 110V selector switch
- Type 3:** isolating transformer,universal socket,
230V/110V selector switch
- Type 4:** 2-pole on/off switch



Part Number	Dimensions (mm)			Description	Specification (Type)	Weight (kg)
	L	W	H			
102307	350	108	59	1x11W,230V,50Hz,l.p.f.	1	
102318	415	108	59	1x11W,230V,50Hz,l.p.f.	2	
102329	415	108	59	1x11W,230V,50Hz,l.p.f.	3	
102340	350	108	59	1x11W,230V,50Hz,l.p.f.	4	
102351	350	108	59	1x11W,230V,50Hz,h.p.f.c.	1	
102362	415	108	59	1x11W,230V,50Hz,h.p.f.c.	2	
102373	415	108	59	1x11W,230V,50Hz,h.p.f.c.	3	
102384	350	108	59	1x11W,230V,50Hz,h.p.f.c.	4	
102395	350	108	59	1x11W,230V,60Hz,l.p.f.	1	
102406	415	108	59	1x11W,230V,60Hz,l.p.f.	2	
102417	415	108	59	1x11W,230V,60Hz,l.p.f.	3	
102428	350	108	59	1x11W,230V,60Hz,l.p.f.	4	
102439	415	108	59	1x11W,230V,60Hz,h.p.f.c.	2	
102450	415	108	59	1x11W,230V,60Hz,h.p.f.c.	3	
102461	350	108	59	1x11W,230V,60Hz,h.p.f.c.	4	
102472	605	108	59	1x15W,230V,50Hz,l.p.f.	2	
102483	550	108	59	1x15W,230V,50Hz,l.p.f.	3	
102494	498	108	59	1x15W,230V,50Hz,l.p.f.	4	
102505	498	108	59	1x15W,230V,50Hz,h.p.f.c.	1	
102516	605	108	59	1x15W,230V,50Hz,h.p.f.c.	2	
102527		108	59	1x15W,230V,50Hz,h.p.f.c.	3	
102538		108	59	1x15W,230V,50Hz,h.p.f.c.	4	
102549		108	59	1x15W,230V,60Hz,l.p.f.	1	
102560		108	59	1x15W,230V,60Hz,l.p.f.	2	
102571		108	59	1x15W,230V,60Hz,l.p.f.	3	
102582		108	59	1x15W,230V,60Hz,l.p.f.	4	

(continue to next page)

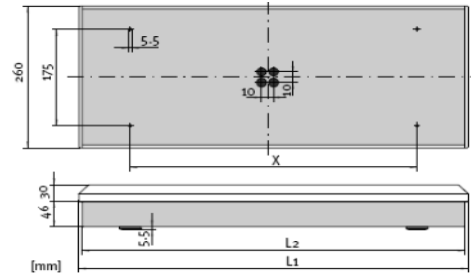

Mirror luminaire SP66 1x11,1x15,1x18W surface, IP44

(continue from previous page)

Part Number	Dimensions (mm)			Description	Specification (Type)	Weight (kg)
	L	W	H			
102593				1x15W,230V,60Hz,h.p.f.c.	1	
102604				1x15W,230V,60Hz,h.p.f.c.	2	
102615				1x15W,230V,60Hz,h.p.f.c.	3	
102626				1x15W,230V,60Hz,h.p.f.c.	4	
102637	695			1x18W,230V,50Hz,l.p.f.	2	
102648				1x18W,230V,50Hz,l.p.f.	3	
102659	651			1x18W,230V,50Hz,l.p.f.	4	
102670	651			1x18W,230V,50Hz,h.p.f.c.	1	
102681	695			1x18W,230V,50Hz,h.p.f.c.	2	
102692				1x18W,230V,50Hz,h.p.f.c.	3	
102703	651			1x18W,230V,50Hz,h.p.f.c.	4	
102714	651			1x18W,230V,60Hz,l.p.f.	1	
102725	695			1x18W,230V,60Hz,l.p.f.	2	
102736				1x18W,230V,60Hz,l.p.f.	3	
102747	651			1x18W,230V,60Hz,l.p.f.	4	
102758	651			1x18W,230V,60Hz,h.p.f.c.	1	
102769	695			1x18W,230V,60Hz,h.p.f.c.	2	
102780				1x18W,230V,60Hz,h.p.f.c.	3	
102791	651			1x18W,230V,60Hz,h.p.f.c.	4	

Ceiling luminaire DE16 2x18W/2x36W recessed IP44

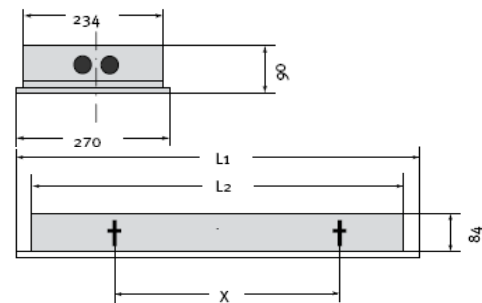
- Applications:** passage ways, cabins, lounges, dining rooms, accomodation areas
- Housing:** phosphate coated steel, powder coated white
- Diffuser:** polycarbonate, opal
- Lamp base:** G13
- Lamps** (not included): fluorescent, 18W/36W
- Electric:** flexible wiring, heat resistant up to +105°C,
- Cable entry:** 4 inlets, cable max Ø 11 mm
- Mounting:** 4 mounting holes, Ø5.5mm
- Options:**
- emergency lampholder E14
 - electronic ballast
 - BO-execution
 - a choice of fixing kits for different ceiling systems
 - antimagnetic
 - different cable entries
 - emergency battery backup



Part Number	Dimensions (mm)			Description	Weight (kg)
	Length	Width	Height		
102802	645	260	76	2x18W, 230V, 50Hz, l.p.f.	3,6
102813	645	260	76	2x18W, 230V, 50Hz, h.p.f.c.	3,6
102824	645	260	76	2x18W, 230V, 60Hz, l.p.f.	3,6
102835	645	260	76	2x18W, 230V, 60Hz, h.p.f.c.	3,6
102846	1255	260	76	2x36W, 230V, 50Hz, l.p.f.	4,6
102857	1255	260	76	2x36W, 230V, 50Hz, h.p.f.c.	4,6
102868	1255	260	76	2x36W, 230V, 60Hz, l.p.f.	4,6
102879	1255	260	76	2x36W, 230V, 60Hz, h.p.f.c.	4,6

Ceiling luminaire DE28 2x18W/2x36W recessed IP44

- Applications:** passage ways, cabins, lounges, dining rooms, accomodation areas
- Housing:** zinc coated steel, powder coated white
- Diffuser:** PMMA iccrystal, clear spring loaded
- Lamp base:** G13
- Lamps** (not included): fluorescent, 18W/36W
- Electric:** flexible wiring, heat resistant up to +105°C,
- Cable entry:** 2 cable entries, cable max Ø 20 mm
- Mounting:** 4 mounting brackets
- Options:**
- emergency lampholder E14
 - electronic ballast
 - emergency battery backup



Part Number	Dimensions (mm)			Description	Weight (kg)
	Length	Width	Height		
102890	665	270	90	2x18W, 230V, 50Hz, l.p.f.	5,2
102901	665	270	90	2x18W, 230V, 60Hz, l.p.f.	5,2
102912	1275	270	90	2x36W, 230V, 50Hz, l.p.f.	8,6

Ceiling luminaire DA13 2x18W/2x36W surface IP30

Applications: passage ways, cabins, lounges, dining rooms, accomodation areas

Housing: phosphate coated steel, powder coated white

Diffuser: polycarbonate, opal

Lamp base: G13

Lamps (not included): fluorescent, 18W/36W

Electric: flexible wiring, heat resistant up to +105°C,

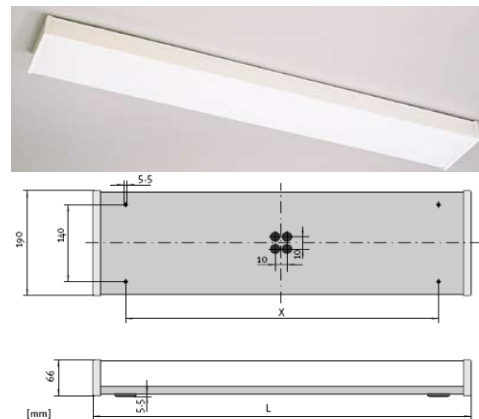
Cable entry: 4 inlets, cable max Ø 11 mm

Mounting: 4 mounting holes, Ø 5.5 mm

Options:

-emergency lampholder E14

-electronic ballast



Part Number	Dimensions (mm)			Description	Weight (kg)
	Length	Width	Height		
102923	642	190	66	2x18W, 230V, 50Hz, l.p.f.	3,1
102934	642	190	66	2x18W, 230V, 50Hz, h.p.f.c.	3,1
102945	642	190	66	2x18W, 230V, 60Hz, l.p.f.	3,1
102956	642	190	66	2x18W, 230V, 60Hz, h.p.f.c.	3,1
102967	1252	190	66	2x36W, 230V, 50Hz, l.p.f.	4,3
102978	1252	190	66	2x36W, 230V, 50Hz, h.p.f.c.	4,3
102989	1252	190	66	2x36W, 230V, 60Hz, l.p.f.	4,3
103000	1252	190	66	2x36W, 230V, 60Hz, h.p.f.c.	4,3

Ceiling luminaire DA16 2x18W/2x36W surface IP30

Applications: passage ways, cabins, lounges, dining rooms, accomodation areas

Housing: phosphate coated steel, powder coated white

Diffuser: polycarbonate, opal

Lamp base: G13

Lamps (not included): fluorescent, 18W/36W

Electric: flexible wiring, heat resistant up to +105°C,

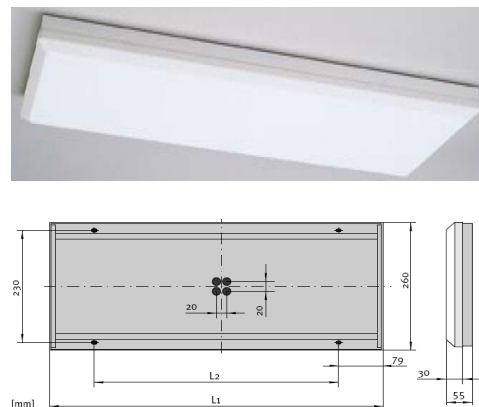
Cable entry: 4 inlets, cable max Ø 11 mm

Mounting: 4 mounting holes, Ø 5.5 mm

Options:

-emergency lampholder E14

-electronic ballast



Part Number	Dimensions (mm)			Description	Weight (kg)
	Length	Width	Height		
103011	650	260	66	2x18W, 230V, 50Hz, l.p.f.	3,4
103022	650	260	66	2x18W, 230V, 50Hz, h.p.f.c.	3,4
103033	650	260	66	2x18W, 230V, 60Hz, l.p.f.	3,4
103044	650	260	66	2x18W, 230V, 60Hz, h.p.f.c.	3,4
103055	1265	260	66	2x36W, 230V, 50Hz, l.p.f.	4,8
103066	1265	260	66	2x36W, 230V, 50Hz, h.p.f.c.	4,8
103077	1265	260	66	2x36W, 230V, 60Hz, l.p.f.	4,8
103088	1265	260	66	2x36W, 230V, 60Hz, h.p.f.c.	4,8