

TI20 Table Lights

Magnifier Table Light, 1x22W

Part-no. 104947

Approvals: according to the rules of relevant classification societies, additional VDE and IEC

Protection class: IP 20

Design: metal construction with plastic head

Lens: biconvex glass lens Ø 120 mm, 3-diopters (=1,75x power)

Lamp base: G 10 q

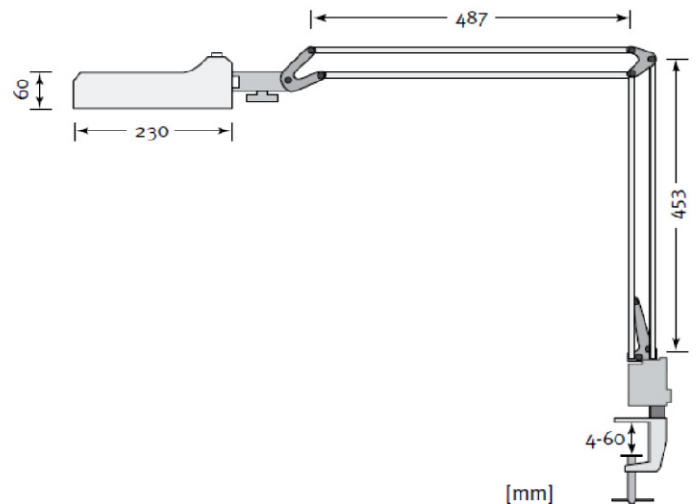
Lamps (not included): fluorescent circline lamp 22W

Electric: 230V, 50 or 60Hz 1.5 m free cable with schukoplug, switch in lamp head

Mounting: with screw down base

Weight: 2.8kg

Options: different fixing kits are available



Friction-arm Table Light, 1x11W

Part-no. 104958

Approvals: according to the rules of relevant classification societies, additional VDE and IEC

Protection class: IP 20

Design: metal construction and reinforced plastic

Colour: grey

Lamp base: G 23

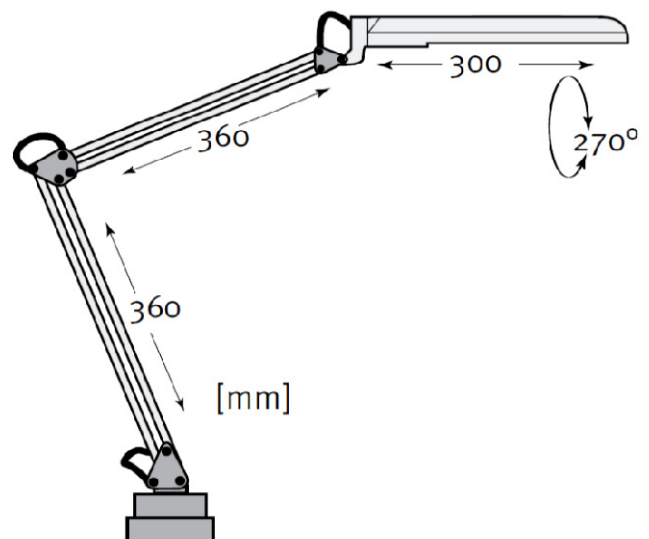
Lamps (not included): tubular compact fluorescent lamp 11W

Electric: 230V, 50 or 60Hz, 2.0 m free cable with europlug, switch in lamp head

Weight: 1.1kg

Options:

- different RAL-colours on request
- different fixing kits are available



TI14 Charttable Light, 20W

Approvals: according to the rules of relevant classification societies, additional VDE and IEC

Protection class: IP 20

Design: with flexible arm, switch in lamp head

Colour: black

Lamp base: G 4

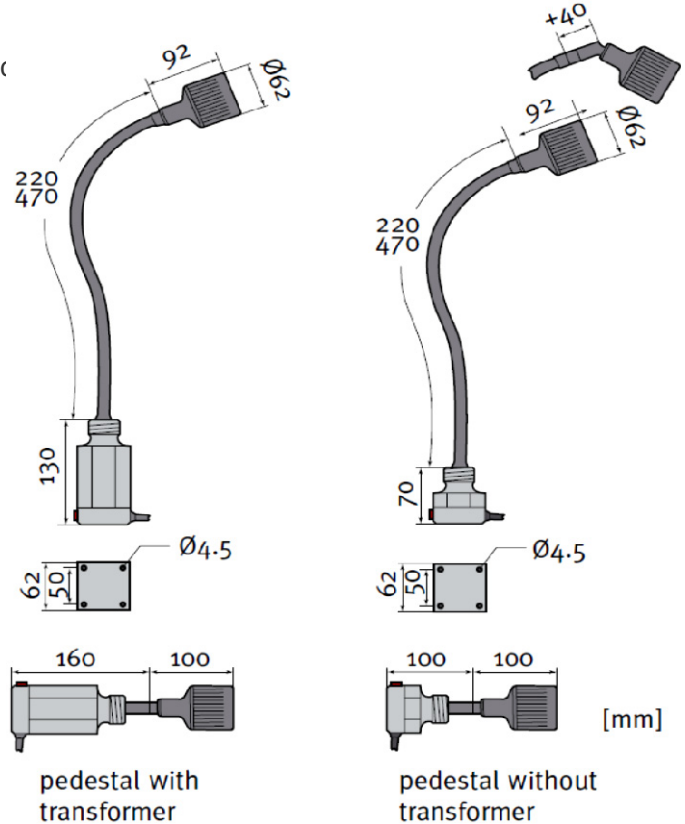
Lamps (not included): halogen lamp 20W

Electric: 230V/ 12V (24V on request)

Mounting: 4 mounting holes, Ø 4.5 mm

Options:

- switch in pedestal
- with joint head
- IP65



Part Number	Length	Pedestal	Weight (kg)
104969	Arm flexible, 250mm	incorporated transformer 230V/ 12V	1.3
104980	Arm flexible, 500mm	incorporated transformer 230V/ 12V	1.5
104991	Arm flexible, 250mm	dimmer incorporated, transformer separate	1.0
105002	Arm flexible, 500mm	dimmer incorporated, transformer separate	1.2