

Floodlights ST 76 for halogen lamps

Applications: decks, holds, industrial areas etc.

Protection class: IP67

Approvals: according to the rules of relevant classification societies, additional VDE and IEC

Housing: stainless steel seamless deep drawn, powder coated white

Diffuser: safety glass

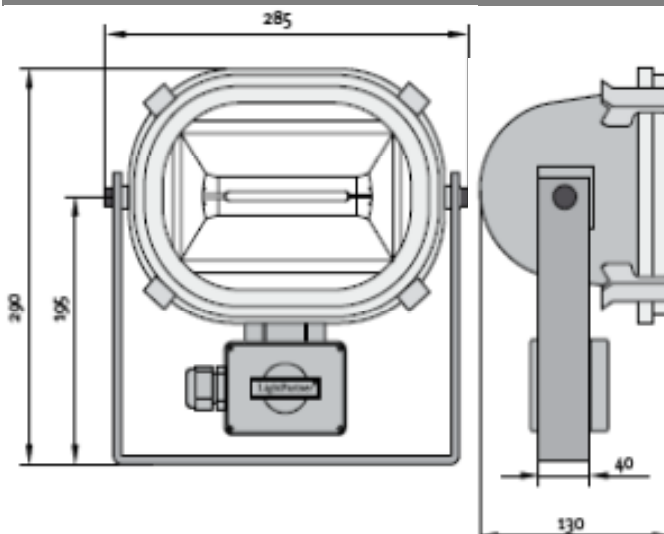
Lamp base: R7s

Electric: 230V, flexible wiring, high temperature resistant

Cable entry: junction box, 1 cable gland brass, M24x1.5 with earthing insert

Part-no. 101009

ST76 1x200W



Lamps (not included): halogen lamp 200W, 114.2 mm

Reflector: aluminium anodized

Mounting: adjustable bracket, stainless steel, 2 mounting holes Ø13mm

Options:

-24V

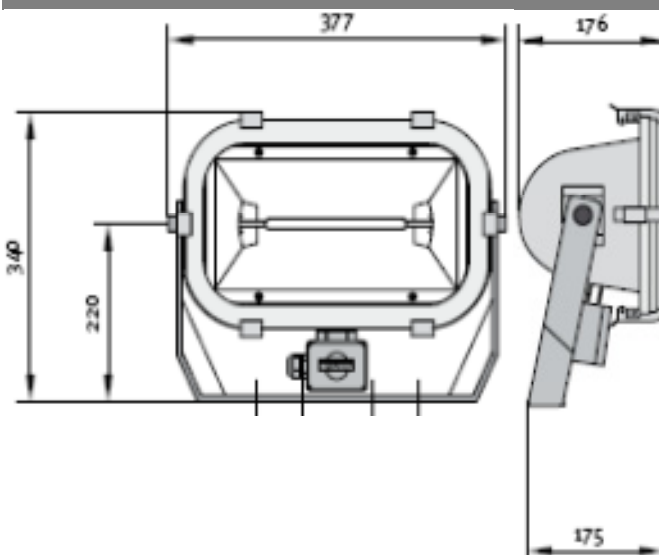
-UL-Approval

Weight: 3,7kg



Part-no. 101020

ST76 1x500W



Lamps (not included): halogen lamp 200/300/500W, 114.2 mm

Reflector: aluminium anodized wide beam

Mounting: adjustable bracket, stainless steel, 4 mounting holes 2XØ10mm & 2XØ14mm

Options:

-UL-Approval

Weight: 5,5kg



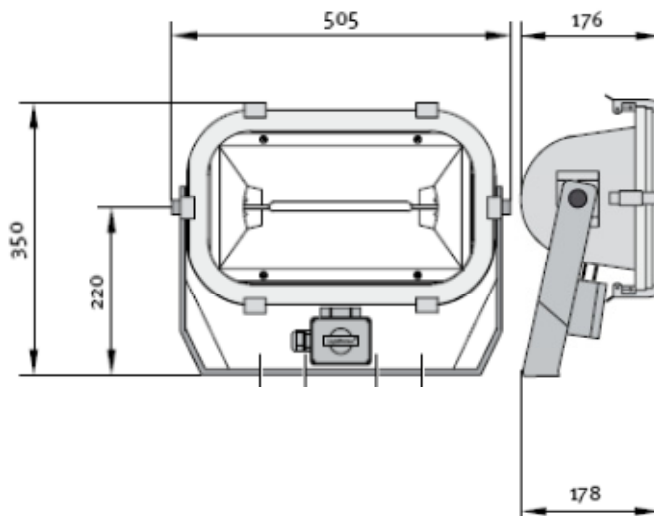
(continue to next page)

Floodlights ST 76 for halogen lamps

(continue from previous page)

Part-no. 101031

ST76 1x1000W



Lamps (not included): halogen lamp 750/1000W, 185.7mm

Reflector: aluminium anodized

Mounting: adjustable bracket, stainless steel, 4 mounting holes 2XØ10mm &

Options:

- narrow beam reflector
- halogen lamp 500W or 1000W with E40 base on request
- UL-Approval

Weight: 6,8kg



Floodlights ST 57 for halogen lamps

Applications: decks

Protection class: IP67

Approvals: according to the rules of relevant classification societies, additional VDE and IEC

Housing: stainless steel, powder coated white, other colours on request

Diffuser: safety glass

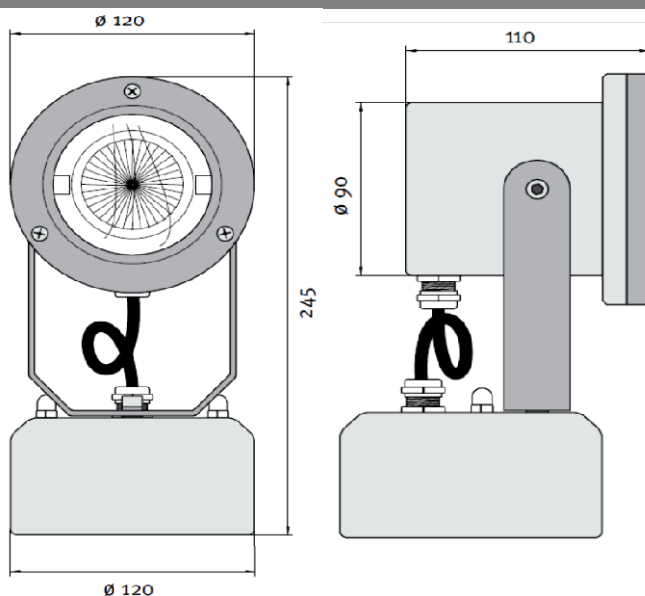
Lamp base: GU 5.3 / GX 5.3

Electric: 230V, flexible wiring, heat resistant up to +250°C, transformer included

Cable entry: plastic cable gland, cable max Ø 11 mm

Part-no. 101042

ST57 1x50W



Lamps: cool beam reflector halogen lamp 20-50W

Mounting: 2 mounting holes, Ø 6 mm

Options:

- transformer in 120V

Weight: 2,3kg



Floodlights ST 76 for HST/HIT

Applications: decks, holds, industrial areas etc.

Protection class: IP67

Approvals: according to the rules of relevant classification societies, additional VDE and IEC

Housing: stainless steel seamless deep drawn, powder coated white

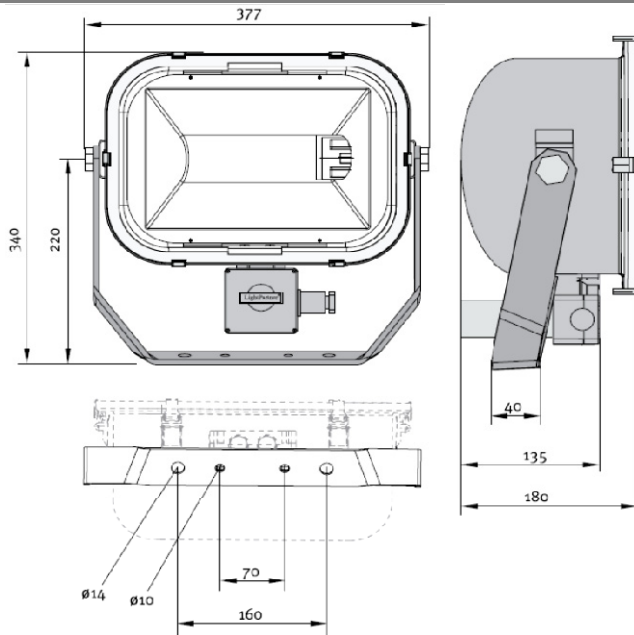
Diffuser: safety glass

Electric: 230V, flexible wiring, high temperature resistant

Cable entry: junction box, 1 cable gland brass, M24x1.5 with earthing insert

Part-no. 101053

ST76 1x70W



with integrated electronic ballast

Reflector: aluminium anodized

Lamps (not included): HST/HIT 70W

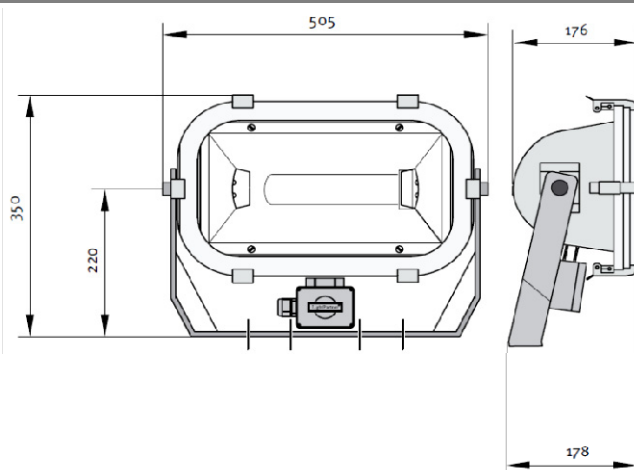
Lamp base: E27

Mounting: adjustable bracket, stainless steel, 4 mounting holes, 2 x Ø 10 mm and 2 x Ø 14 mm



Part-no. 101064

ST76 1x400W HST/HIT



Reflector: aluminium anodized

Lamps (not included): HST/HIT lamp, 250W, 400W

Lamp base: E40

Mounting: adjustable bracket, stainless steel, 4 mounting holes, 2 x Ø 10 mm and 2 x Ø 14 mm

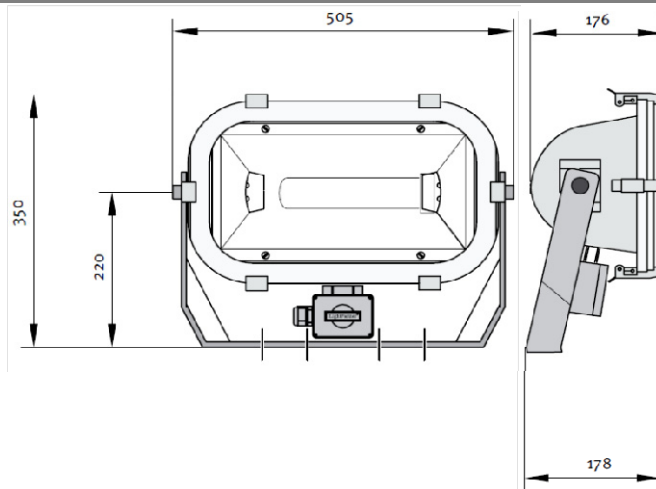
Weight: 7,3kg



(continue to next page)

Floodlights ST 76 for HST/HIT

(continue from previous page)

Part-no. 101075
ST76 1x400W HST-DE


with instant ignition

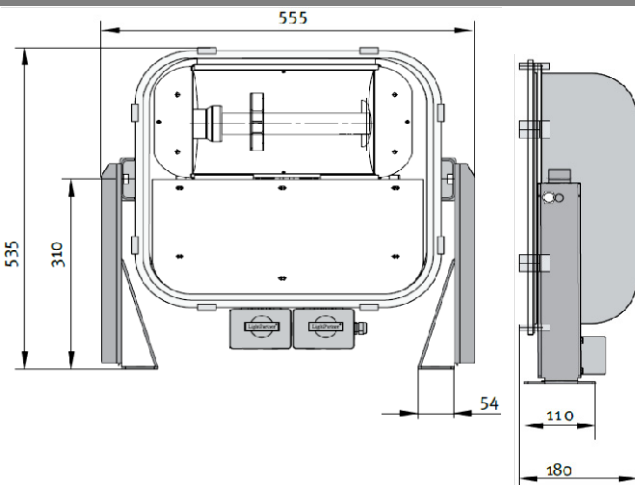
Reflector: aluminium anodized

Lamps (not included): HST-DE lamp
250W / 400W

Lamp base: FC 2

Mounting: adjustable bracket, stainless steel,
4 mounting holes, 2 x Ø 10 mm and
2 x Ø 14 mm

Weight: 8,3kg

ST76 1x400W HST/HIT


with integrated ballast

Reflector: aluminium anodized

Lamps (not included): HST/HIT lamp,
250W, 400W

Lamp base: E40

Mounting: adjustable bracket,
stainless steel, 4 mounting
holes Ø 13 mm

Options:

- narrow beam reflector
- UL-Approval

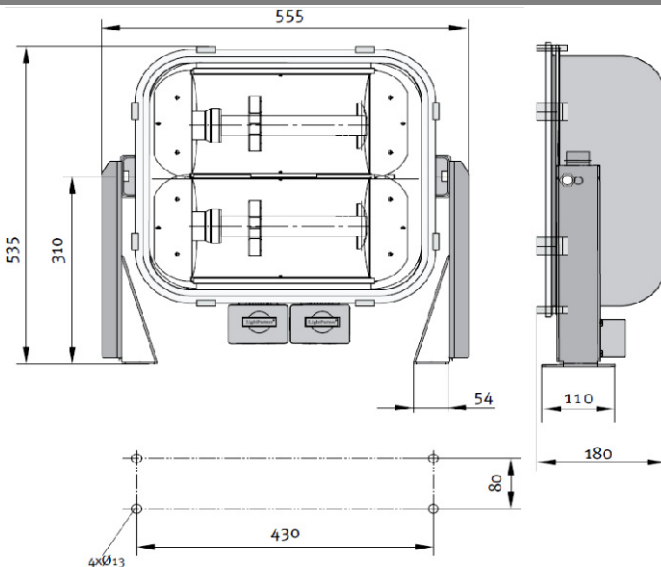


Part Number	Characteristics	Weight kg	Type
101086	230V/50Hz/ l.p.f.	18.8	250W
101097		20.0	400W
101108	230V/50Hz/h.p.f.c.	18.8	250W
101119		20.0	400W
101130	230V/ 60Hz/ l.p.f.	18.8	250W
101141		20.0	400W
101152	230V/ 60Hz/ h.p.f.c.	18.8	250W
101163		20.0	400W

(continue to next page)

Floodlights ST 76 for HST/HIT

(continue from previous page)

Part-no. 101174
ST76 2x400W HST/HIT

Reflector: aluminium anodized

Lamps (not included): HST/HIT lamp
250W / 400W

Lamp base: E40

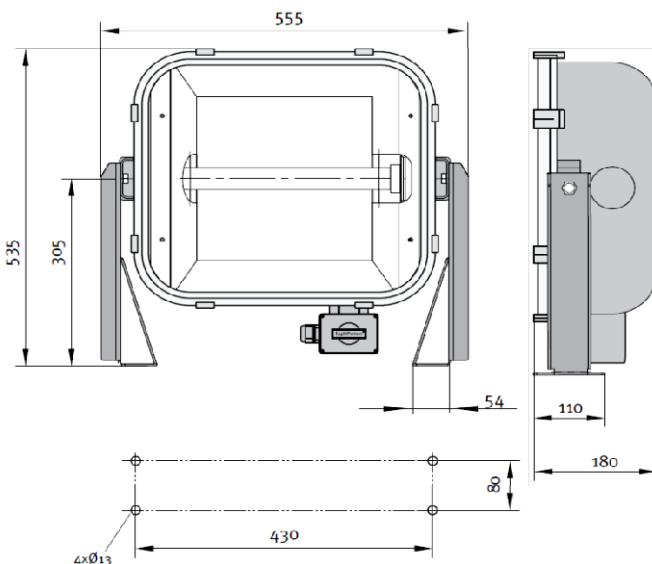
Mounting: adjustable bracket, stainless steel,
4 mounting holes Ø 13 mm

Weight: 14,0kg

Options:

- narrow beam reflector
- UL-Approval

Remark:
ballast unit
VG 76
has to be
ordered
separately

Part-no. 101185 (wide)
Part-no. 101196 (narrow)
ST76 1x1000W HST/HIT

Reflector: aluminium anodized

Lamps (not included): HST/HIT lamp 1000W

Lamp base: E40

Mounting: adjustable bracket, stainless steel,
4 mounting holes Ø 13 mm

Weight: 12,2kg

Options:

- narrow beam reflector
- E39 lampholder
- UL-Approval

Remark:
ballast unit
VG 76
has to be
ordered
separately


VG 76 Ballast Unit for HPS/MH Floodlight

Applications: decks, holds, industrial areas

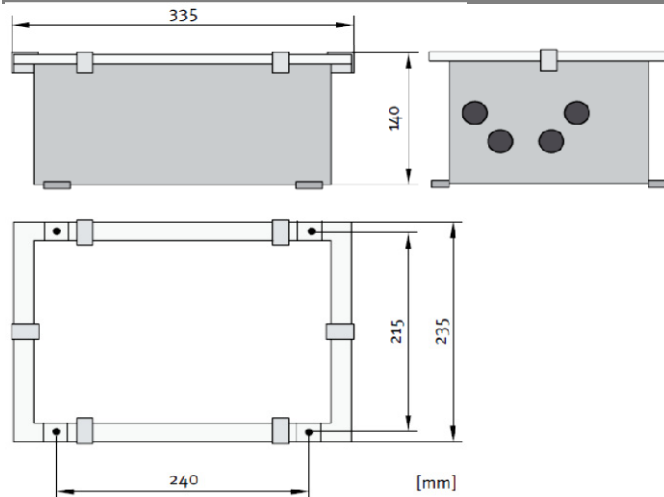
Protection class: IP67

Approvals: according to the rules of relevant classification societies, additional VDE and IEC

Housing: stainless steel, powder coated white

Electric: flexible wiring, heat resistant up to +105°C

Cable entry: max. 4 cable glands, brass, M24x1.5, with earthing insert



Mounting: 4 mounting holes, Ø 10 mm

Remark:
floodlight
has to be
ordered
separately



Type	230 V/ 50Hz/ h.p.f.c.	230 V/ 60Hz/ h.p.f.c.	Weight kg
1x250W HPS/MH	101207	101273	10.6
1x400W HPS/MH	101218	101284	10.8
2x250W HPS/MH	101229	101295	18.4
2x400W HPS/MH	101240	101306	18.8
1x1000W HPS	101251	101317	15.8
1x1000W MH	101262	101328	15.8

Floodlights ST 76 LED

Applications: decks, holds, industrial areas etc.

Protection class: IP67

Approvals: according to the rules of relevant classification societies, additional VDE and IEC

Housing: stainless steel seamless deep drawn

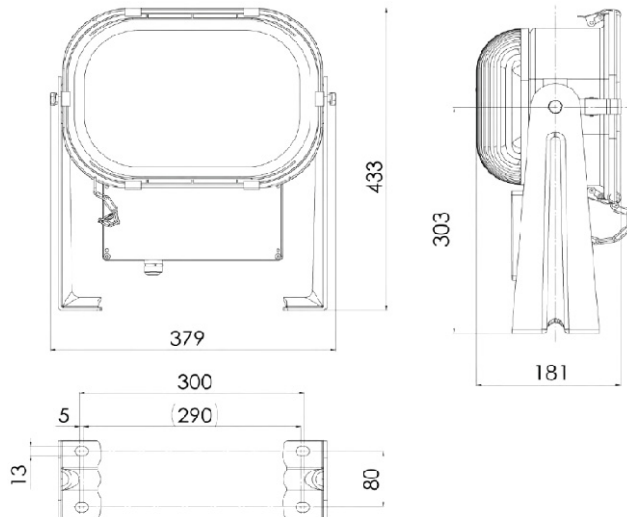
Diffuser: safety glass

Electric: 115-230V, flexible wiring, high temperature resistant

Power supply: junction box, 1 cable gland brass M20 x 1.5

Part-no. 101339

ST76 80W LED



Lamps (included): High Power LED

Reflector: aluminium anodized wide beam

Mounting:
adjustable
bracket,
stainless steel,
4 mounting holes,
Ø 13 mm
Weight: 9,8kg

