

## KJ16 Wall Light, 1x18W

**Part-no. 103638 (type A-left)**

**Part-no. 103649 (type B-right)**

**Approvals:** according to the rules of relevant classification societies, additional VDE and IEC

**Protection class:** IP 20

**Housing:** brass, chrome plated

**Diffuser:** polycarbonate opal

**Lamp base:** G 24 q-2

**Lamps (not included):** tubular compact fluorescent lamp 18W

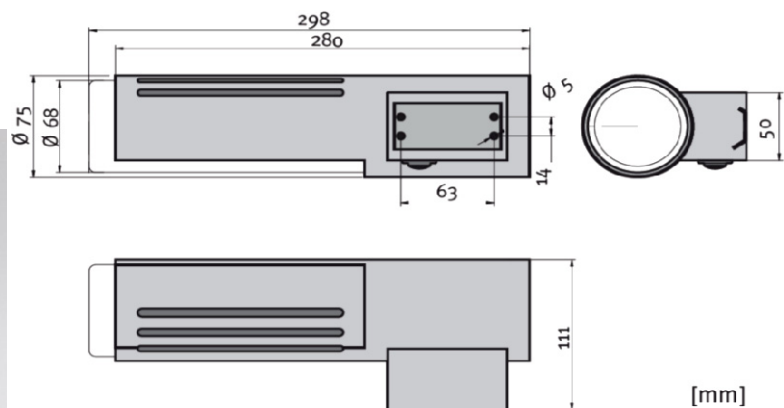
**Electric:** electronic ballast, 230V, 50/60Hz, flexible wiring, heat resistant up to +105°C, on/off switch 2-pole

**Mounting:** 4 mounting holes,  $\varnothing$  5 mm

**Weight:** 0.9kg

**Options:**

- other finish on request



## WL31 LED Reading Light 3W

**Part-no. 103660**

**Approvals:** according to the rules of relevant classification societies, additional VDE and IEC

**Protection class:** IP 20

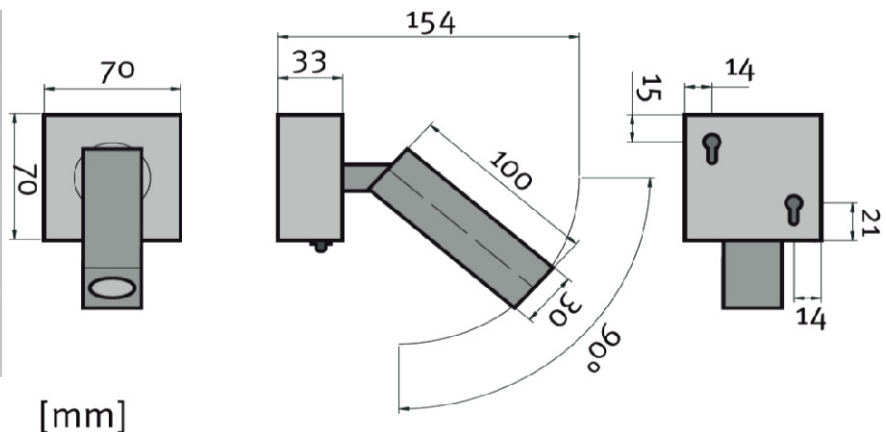
**Housing:** aluminium die cast finish in alutec silver

**Lamps (included):** Power LED 3W

**Electric:** with integrated transformer, 230V, 50/60Hz, on/off switch

**Mounting:** 2 mounting holes

**Weight:** 0.35kg



**WL48 Wall Light with switch, 1x10W**

**Approvals:** according to the rules of relevant classification societies, additional VDE and

**Protection class:** IP 30

**Housing:** brass or stainless steel with different finishes

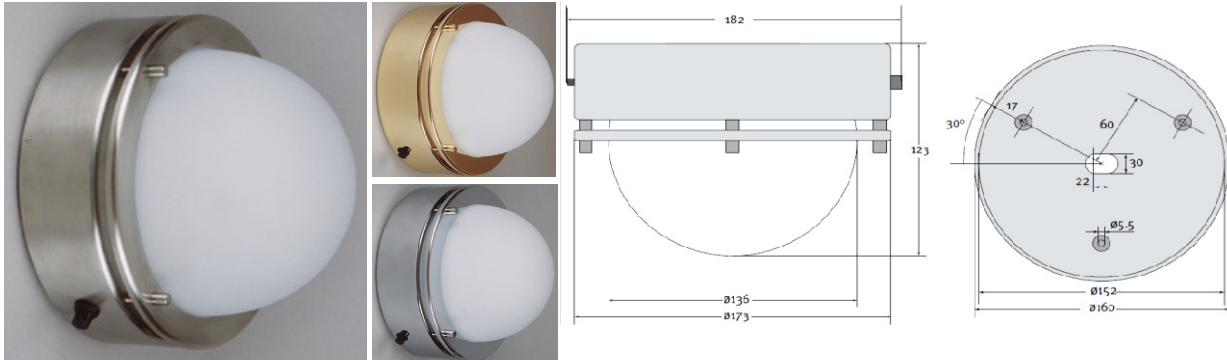
**Diffuser:** glass satine

**Lamp base:** G 24 d-1

**Lamps (not included):** tubular compact fluorescent lamp 10W

**Electric:** flexible wiring, heat resistant up to + 105°C, on/off switch 2-pole

**Mounting:** 3 mounting holes, Ø 5.5 mm



| Type                    | Part Numbers      |                   | Weight kg |
|-------------------------|-------------------|-------------------|-----------|
|                         | 230V/50Hz/ l.p.f. | 230V/60Hz/ l.p.f. |           |
| brass polished          | <b>103671</b>     | <b>103704</b>     | 1,4       |
| chromium plated         | <b>103682</b>     | <b>103715</b>     | 1,4       |
| stainless steel brushed | <b>103693</b>     | <b>103726</b>     | 1,4       |