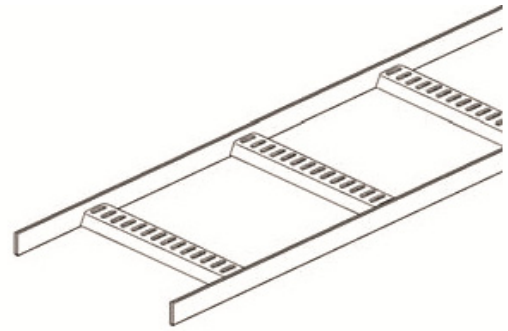


## Cable Ladders with V rung, Mild Steel Hot Dip Galvanized

**Material:** Hot rolled iron strip(DIN 17100)\*

**Finish:** Hot dip galvanized(HDG,DIN 50976)\*\*

**Length:** 2m



Part Number	Dimensions (mm)			Rung (WxH) mm
	Width (W)	Height (A)	Thickness	
<b>101002</b>	200	25	3,00	25x17.5
<b>101013</b>	250	25	3,00	25x17.5
<b>101024</b>	250	40	4,00	25x17.5
<b>101035</b>	300	40	4,00	25x17.5
<b>101046</b>	350	40	4,00	25x17.5
<b>101057</b>	400	40	4,00	25x17.5
<b>101068</b>	450	40	4,00	25x17.5
<b>101079</b>	100	40	5,00	35x17.5
<b>101090</b>	150	40	5,00	35x17.5
<b>101101</b>	200	40	5,00	35x17.5
<b>101112</b>	250	40	5,00	35x17.5
<b>101123</b>	300	40	5,00	35x17.5
<b>101134</b>	350	40	5,00	35x17.5
<b>101145</b>	400	40	5,00	35x17.5
<b>101156</b>	450	40	5,00	35x17.5
<b>101167</b>	500	40	5,00	35x17.5
<b>101178</b>	600	40	5,00	35x17.5
<b>101189</b>	100	50	5,00	35x17.5
<b>101200</b>	150	50	5,00	35x17.5
<b>101211</b>	200	50	5,00	35x17.5
<b>101222</b>	250	50	5,00	35x17.5
<b>101233</b>	300	50	5,00	35x17.5
<b>101244</b>	350	50	5,00	35x17.5
<b>101255</b>	400	50	5,00	35x17.5
<b>101266</b>	450	50	5,00	35x17.5
<b>101277</b>	500	50	5,00	35x17.5
<b>101288</b>	600	50	5,00	35x17.5

### Notes:

**\*Material options:** Stainless steel AISI 304 (L) (A2) / AISI 316 (L) (A4), ST-37-42 Mild Steel, Corten A, Pregalvanized steel, Aluminum

**\*\*Finish options :** Hot Dip Galvanized to EN 1461, Electrogalvanized to TS 149, Electrostatic Paint Coated, Prime coated

Material, finish & rung options available upon request (specific selections per product)

Side channels can be perforated type upon request.